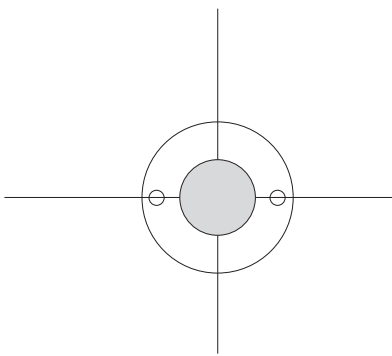
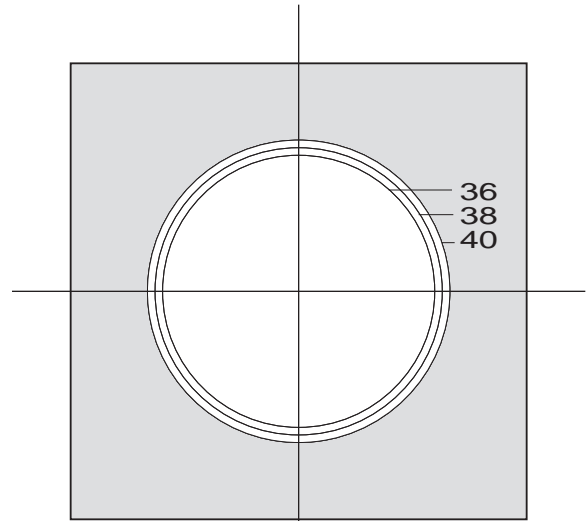


# Inrunner Gear Box/Firewall Drilling Template

Use at your own risk, accuracy cannot be guaranteed

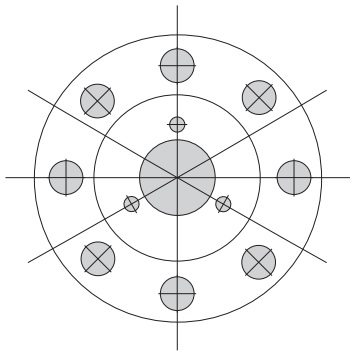


Hacker B20  
Center 10mm  
Bolts 2mm

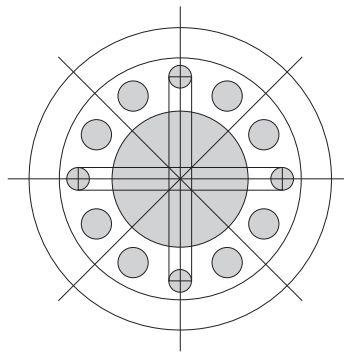


Spinner Template  
36-40 mm Spinner  
36mm (38mm sp)

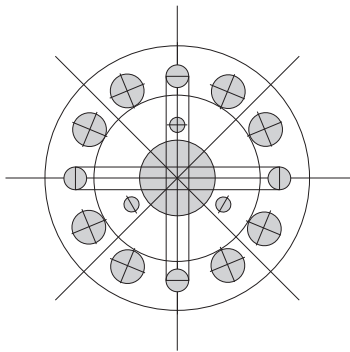
● = Cut Outs Or Bolt Holes



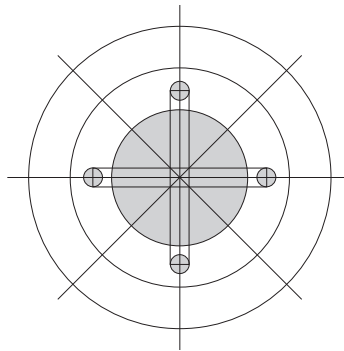
Hacker A20  
Maxxon P22 Gear Box  
Center 10mm  
Bolts 2.5M  
Air Holes 3/16" or 5mm  
40mm Firewall OD



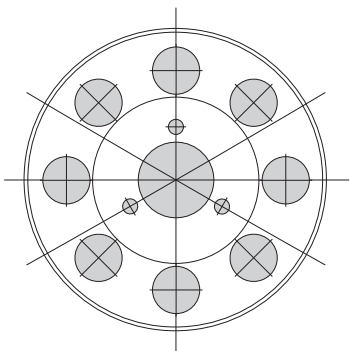
Neu P32 (32mm) Gear Box  
Center 18mm  
Bolts M3 (3mm)  
27mm Bolt Circle  
Air Holes 4mm  
32mm GB OD  
40mm Firewall OD



Hacker A20  
Maxxon P22 Gear Box  
Bolts 2.5M  
Air Holes 1/4" or 7mm  
35mm Firewall OD



Neu P29 (mm) Gear Box  
Center 18mm  
Bolts M2.5  
23mm Bolt Circle  
Air Holes 3/16" or 5mm  
40mm Firewall OD



Hacker A20  
Maxxon P22 Gear Box  
Bolts 2.5M  
Air Holes 1/4" or 7mm  
40mm OD

This Document Can Be Freely Distributed