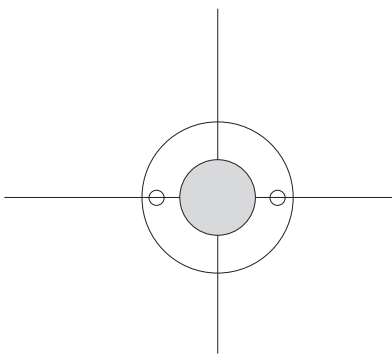
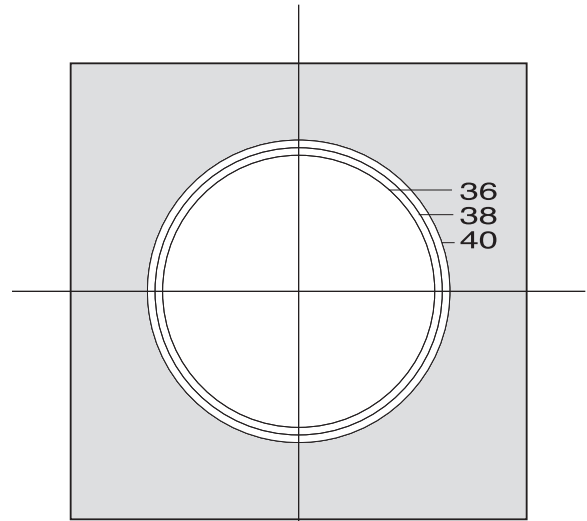


Inrunner Gear Box/Firewall Drilling Template

Use at your own risk, accuracy cannot be guaranteed

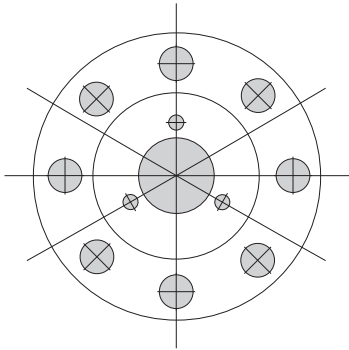


Hacker B20
Center 10mm
Bolts 2mm

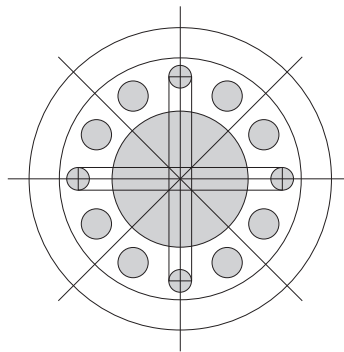


Spinner Template
36-40 mm Spinner
36mm (38mm sp)

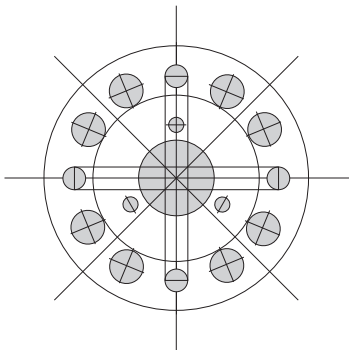
● = Cut Outs Or Bolt Holes



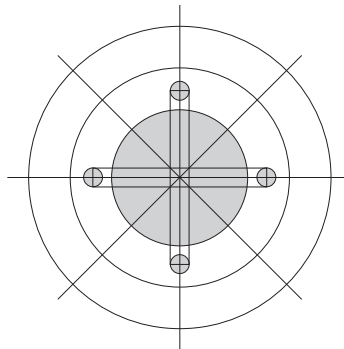
Hacker A20
Maxxon P22 Gear Box
Center 10mm
Bolts 2.5M
Air Holes 3/16" or 5mm
40mm Firewall OD



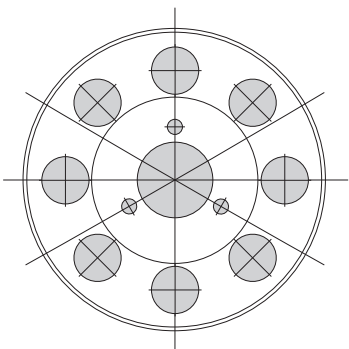
Neu P32 (32mm) Gear Box
Center 18mm
Bolts M3 (3mm)
27mm Bolt Circle
Air Holes 4mm
32mm GB OD
40mm Firewall OD



Hacker A20
Maxxon P22 Gear Box
Bolts 2.5M
Air Holes 1/4" or 7mm
35mm Firewall OD



Neu P29 (mm) Gear Box
Center 18mm
Bolts M2.5
23mm Bolt Circle
Air Holes 3/16" or 5mm
40mm Firewall OD



Hacker A20
Maxxon P22 Gear Box
Bolts 2.5M
Air Holes 1/4" or 7mm
40mm OD

This Document Can Be Freely Distributed